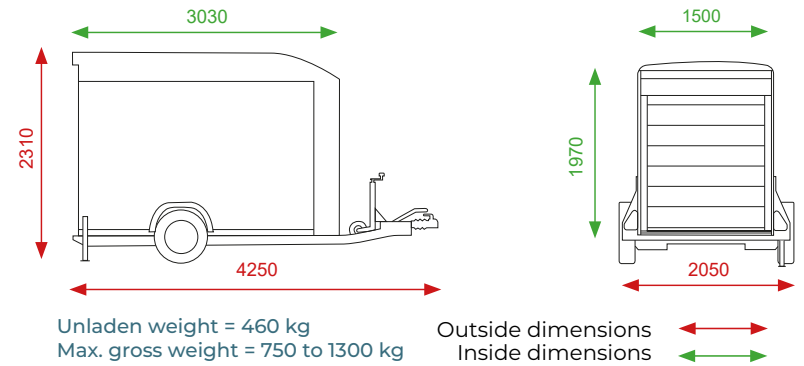


ROADSTER 300



Roadster 300



- Single axle braked 1300kg
- Pullman 2 Suspension (Low chassis and galvanised suspension system)
- Galvanised steel chassis with aluminium extrusion framework
- Roof and front one solid fiberglass part
- Plywood side walls
- Anti slip multiplex floor
- Shockproof ABS mudguards
- Automatic jockey wheel with manoeuvring handle
- Aluminium two-way rear opening door/ramp
- Protected lights
- 2 prop stands
- Tie-rings x4
- Interior light
- Wheel shocks

OPTIONALS

- Composite side walls
- Aluminium side walls
- Sandwich side walls + lateral flap
- Lateral door



Plywood



Aluminium



5 years warranty on aluminium parts



Composite version



Option : Lateral flap

